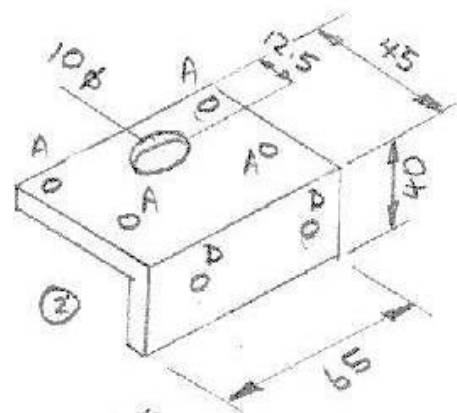
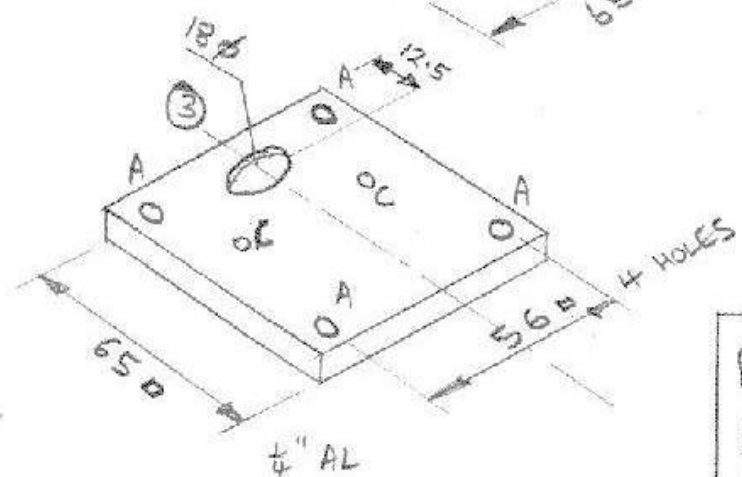


4 x M8 SLOTTED x16mm



8 HOLES 'A' ARE M4
COARSE CLEARANCE TO
ALLOW FOR FINAL
ALIGNMENT ONTO SHAFT.
(4.5mm)



2 HOLES 'C' M4 TAPPED
2 HOLES 'D' M8 TAPPED

④ IS A COUPLER.

THE TELESCOPE CASTING
REQUIRES DRILLING TO
FIX BRACKET ①

RA MOTOR BRACKETS
BUCKMAN HARDY ASSOCIATES
ALAN BUCKMAN 22/11/00
01304 365918 (TEL)
01304 369737 (FAX)